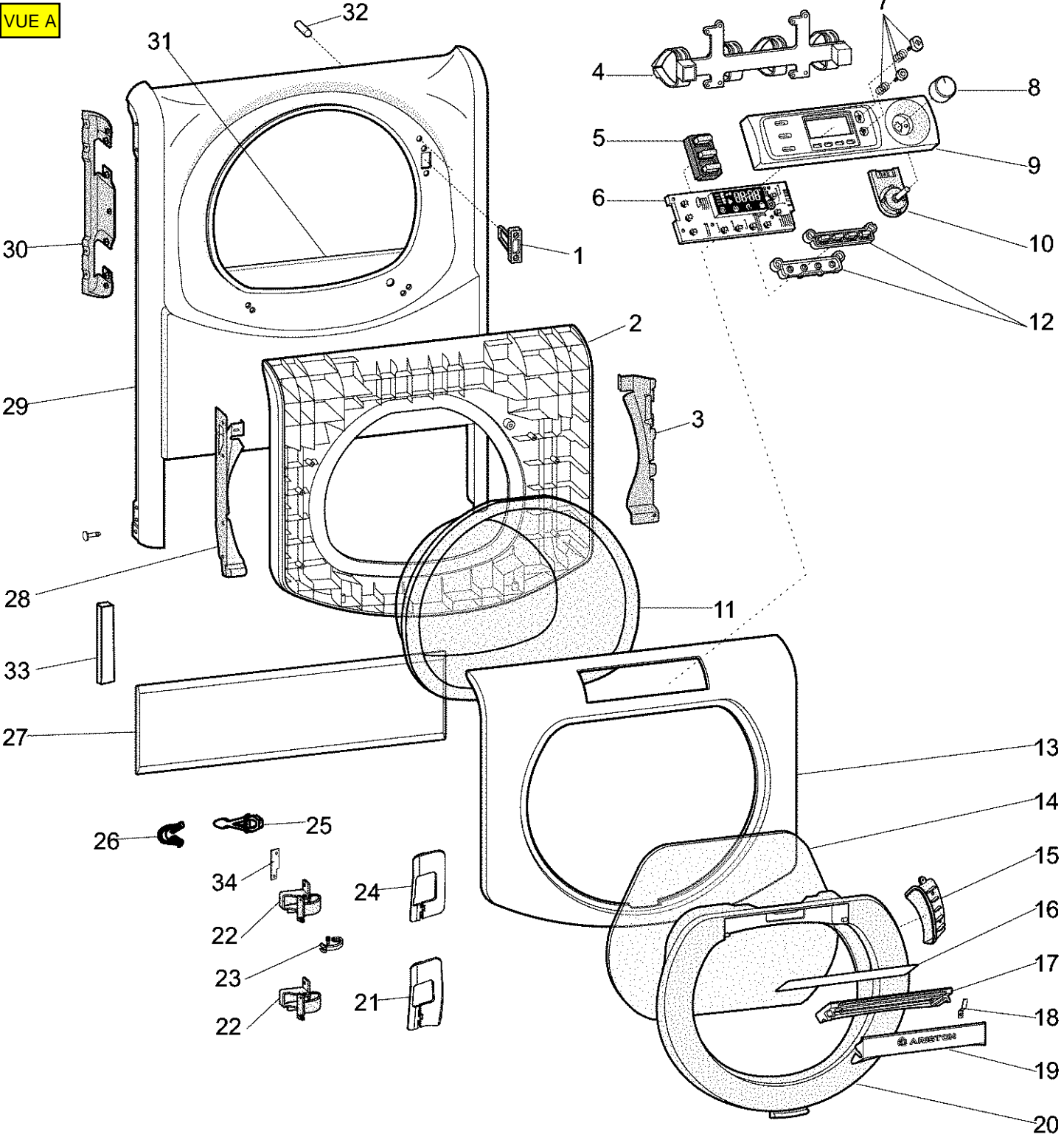
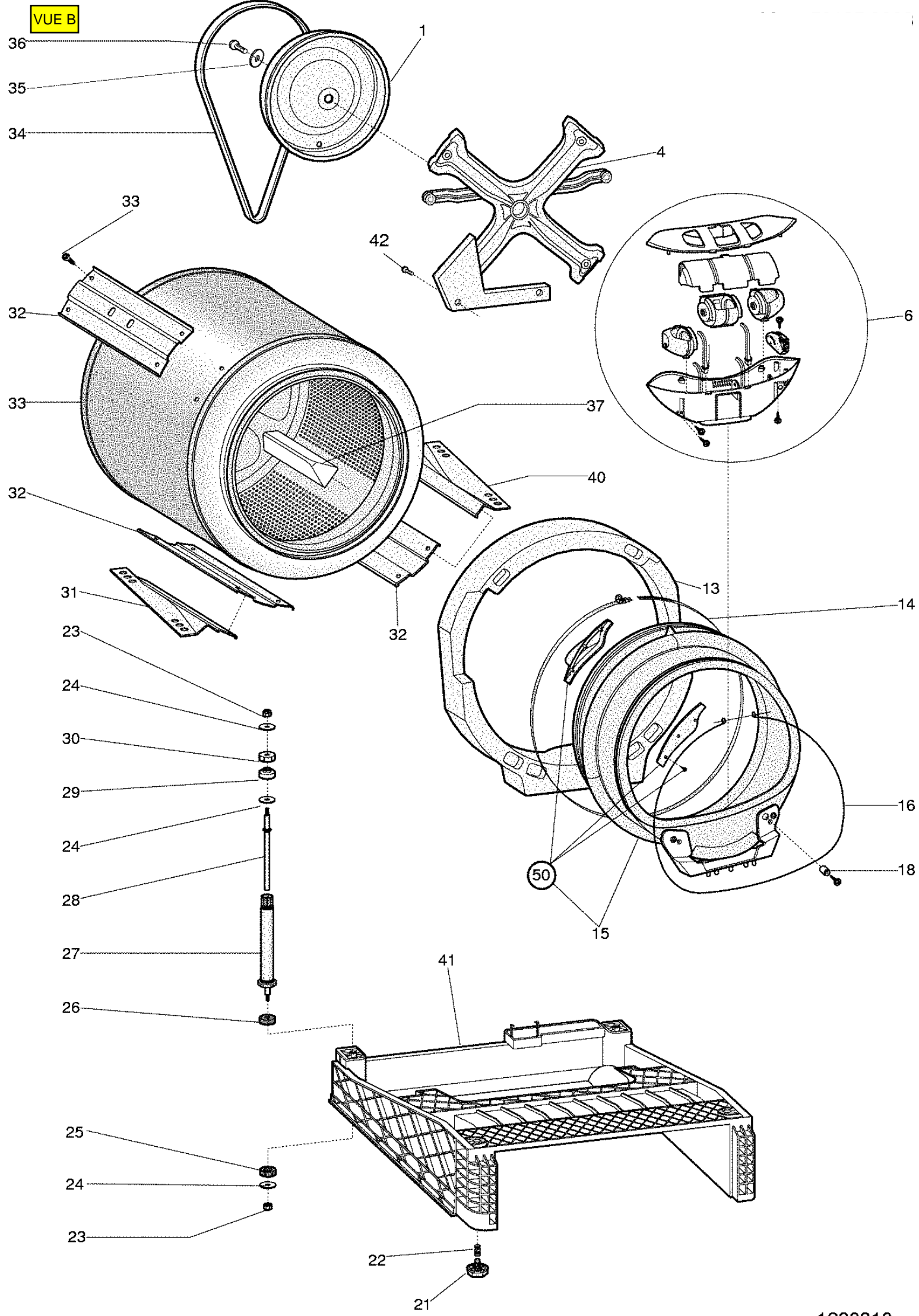


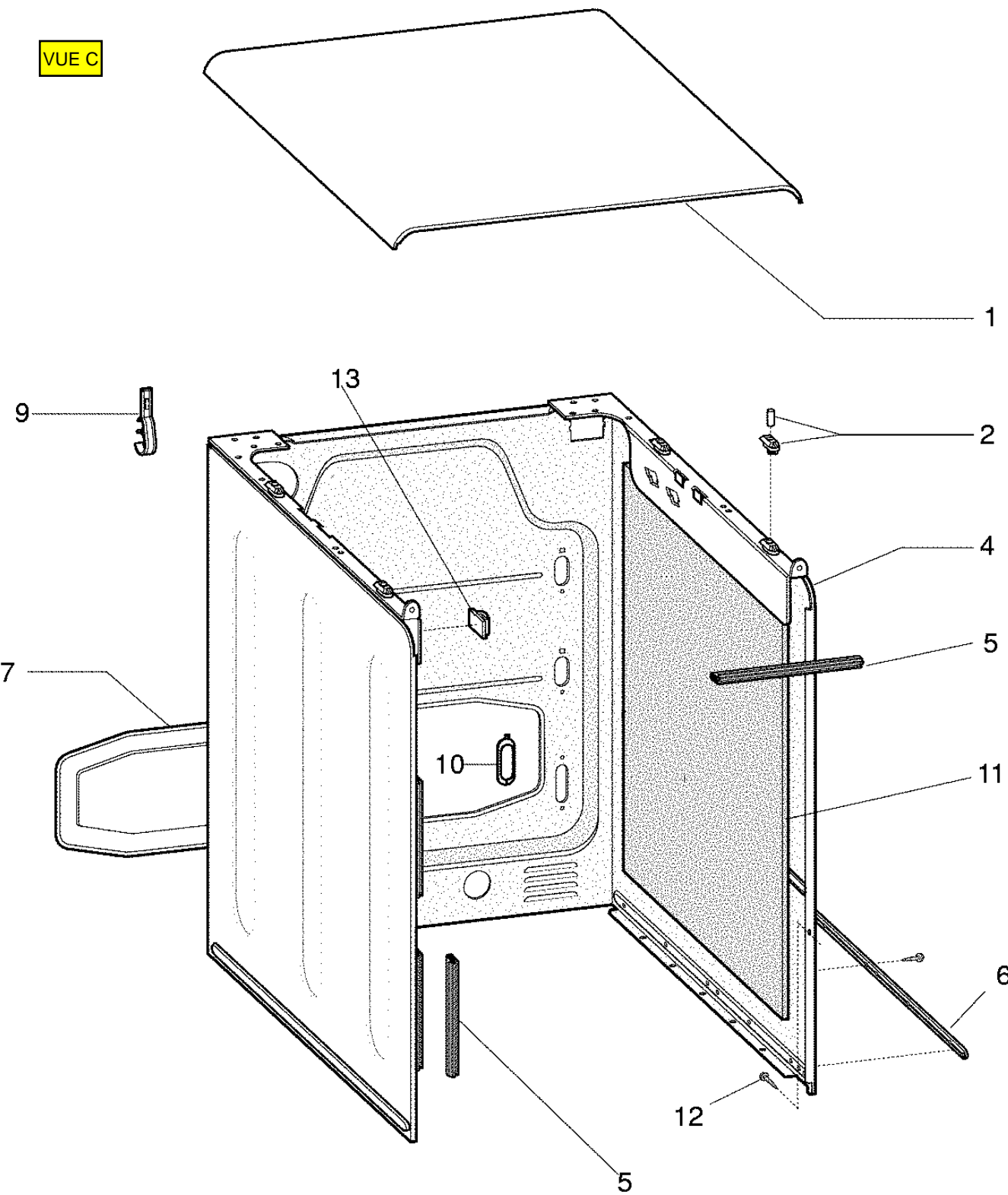
VUE A

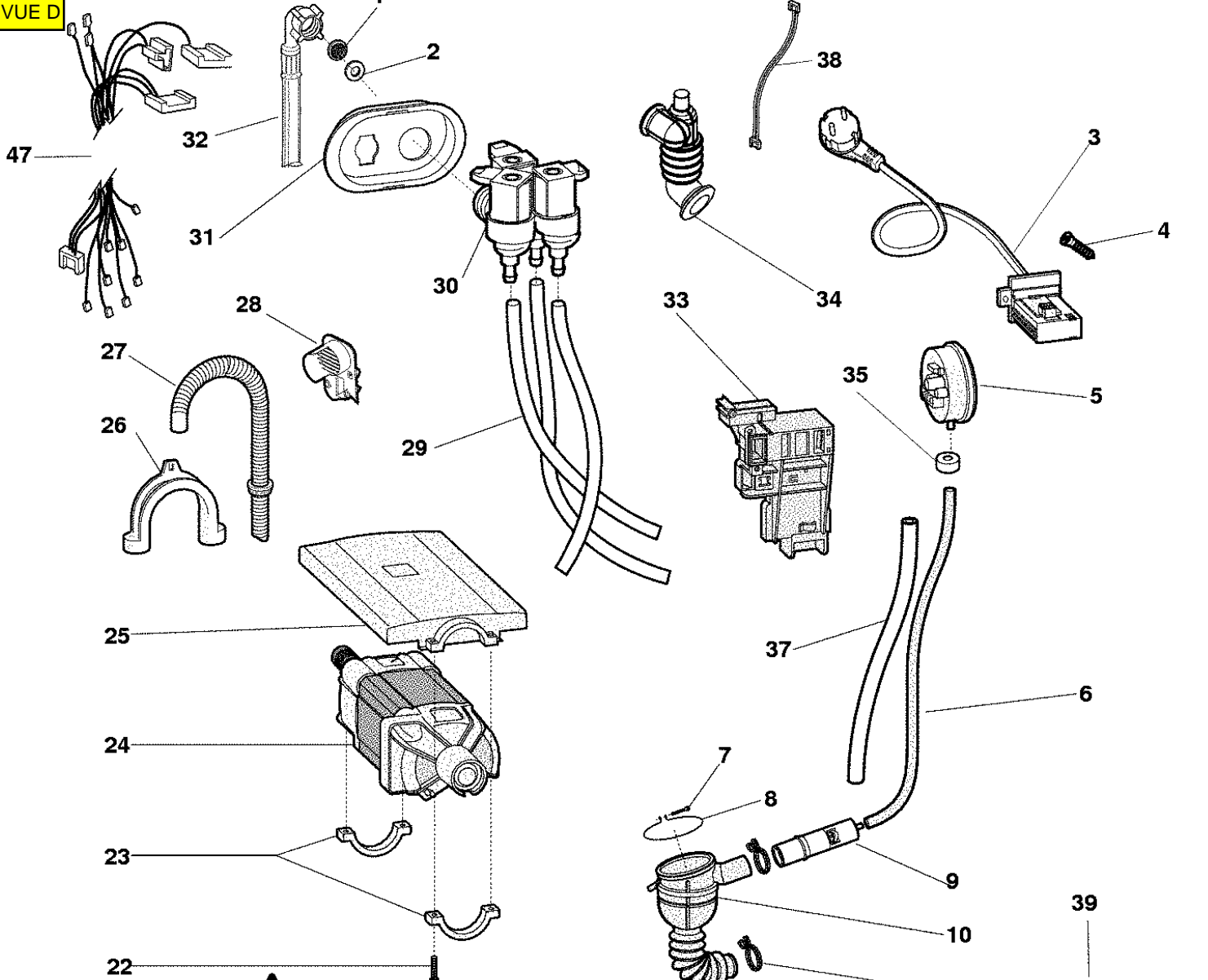


VUE B



VUE C





BEFORE WORKING ON THIS APPLIANCE AVOID THE RISK OF ELECTROCUTION. ENSURE THAT THE MAINS PLUG IS REMOVED FROM THE SUPPLY AND WAIT FOR 5'.

HARDWARE

